



Agroparts: www.HARDI-INTERNATIONAL.com

Front Tanks 250/350 Gallon

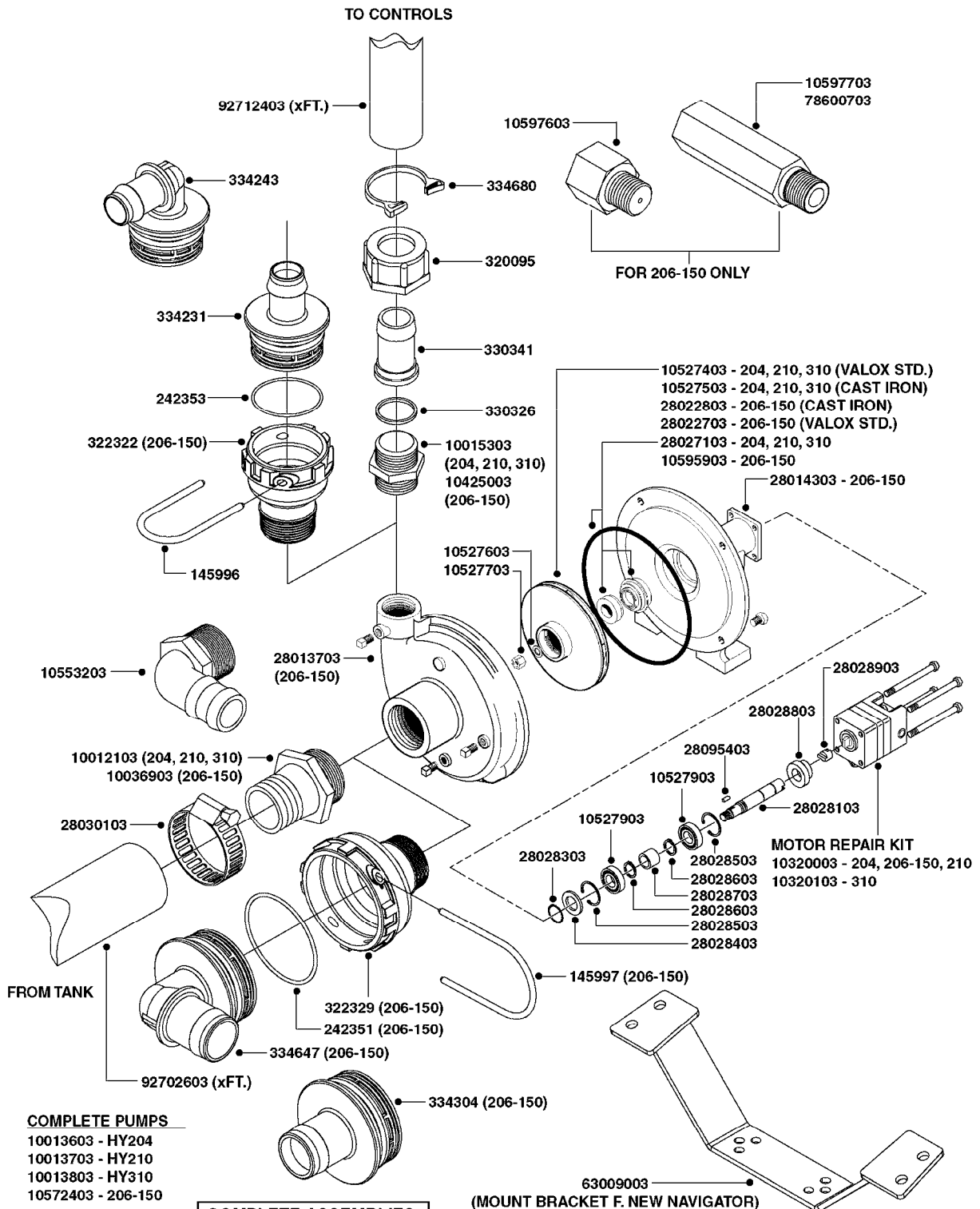
Country-Code 11

Date 05.08.2019 8:57





| main group | page-n° | date | description |
|--------------------------------|-----------|----------|------------------------------|
| Pumps | A0420-HIN | 02:05:16 | PUMP-204,206-150,210,310 ACE |
| Controls, Filters, Valves | B0670-HIN | 01:01:16 | TOP SUCTION ASSEMBLY-S93 2" |
| Tank and Frame: Field Sprayers | E0130-HIN | 01:01:16 | TANK - FRONT TANK 250/350 |
| | E0140-HIN | 01:01:16 | FRAME FRONT TANK 250/350 |
| Special equipment, Extras | K0040-HIN | 01:01:16 | BALL VALVE-ELECTRIC 3-WAY |
| | K0620-HIN | 29:05:19 | QUICKFILL SYSTEM - S93 |



COMPLETE PUMPS
10013603 - HY204
10013703 - HY210
10013803 - HY310
10572403 - 206-150

COMPLETE ASSEMBLIES
WHOLEGOODS ITEMS

A0420



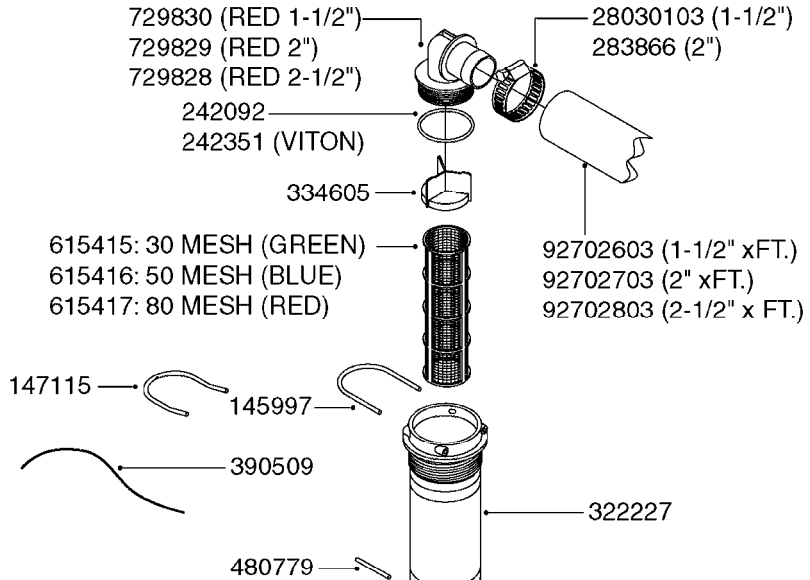
PUMP-204,206-150,210,310 ACE
A0420-HIN, 02:05:16

Page 1
Date 05.08.2019 8:57

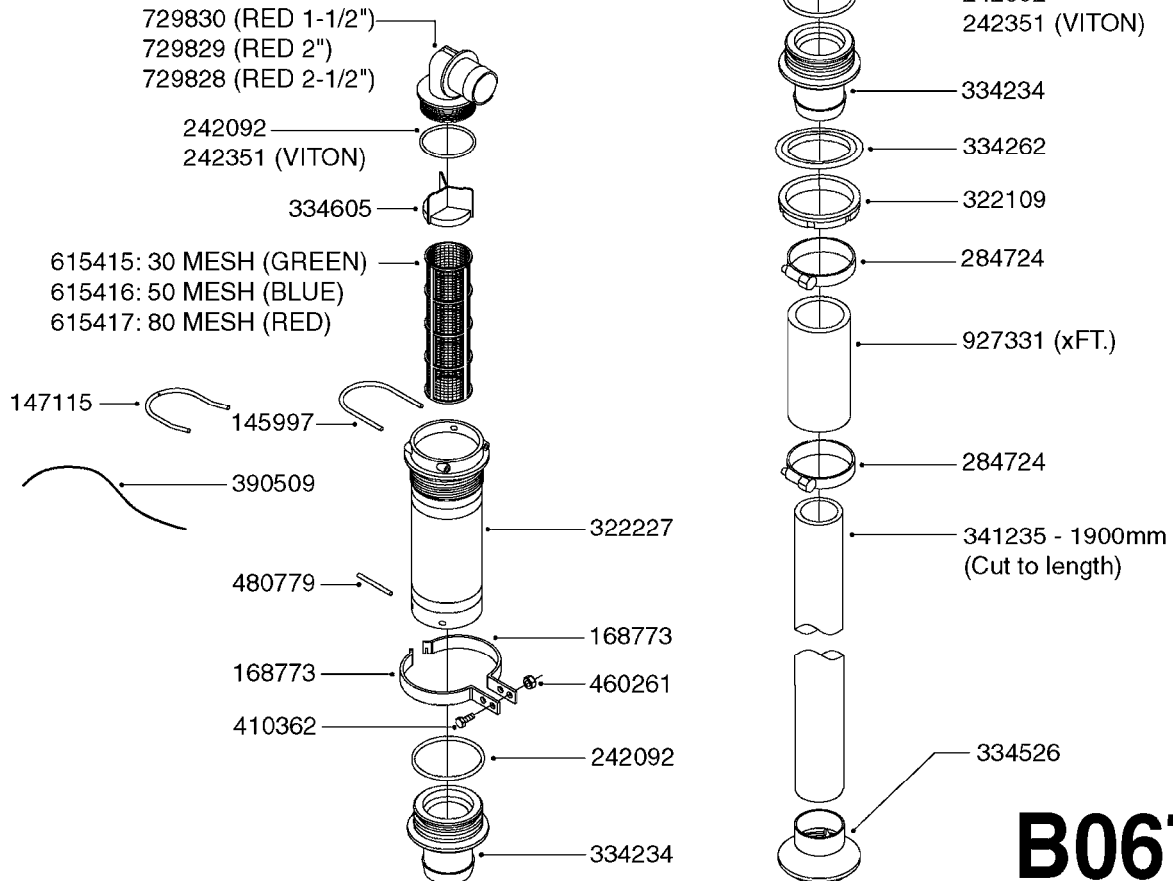
| parts-n° | order qty | description |
|----------|-----------|--------------------------------|
| 145996 | 1 | FITT.DK S-67 FORK |
| 145997 | 1 | FITT.DK S-93 FORK |
| 242351 | 1 | O-RING D69.5X3.0 VITON F.S-93 |
| 242353 | 1 | O-RING 3 X 44.2 VITON |
| 320095 | 1 | FITT.DK NUT 1" BSP |
| 322322 | 1 | FITT.DK S-67 X 1-1/4"BSP MALE |
| 322329 | 1 | FITT.DK S-93 X 1-1/2"BSP MALE2 |
| 330326 | 1 | O-RING D30/D24X2 F.1"NUT |
| 330341 | 1 | FITT.DK HB 1" F. 1" NUT |
| 334231 | 1 | FITT.DK S-67 STR.1" |
| 334243 | 1 | FITT.DK S-67 ELB.1" |
| 334304 | 1 | FITT.DK S-93 STR.1-1/2" PVC |
| 334647 | 1 | FITT.DK S93 ELB 1-1/2" 90 PVC |
| 334680 | 1 | CLAMP HOSE PLASTIC 1" |
| 10012103 | 1 | FITT.PO.HB 1.25X1.50 IMB1012 |
| 10013603 | 1 | PUMP ACE HY 204 |
| 10013703 | 1 | PUMP ACE HY 210 |
| 10013803 | 1 | PUMP ACE HY 310 |
| 10015303 | 1 | FITT.PO.HN 1.00X1.00 M1000 |
| 10036903 | 1 | FITT.PO.HB 1.50X1.50 IMB1212 |
| 10320003 | 1 | MOTOR REPAIRKIT ACE204,206,210 |
| 10320103 | 1 | MOTOR REPAIR KIT ACE 304,310 |
| 10425003 | 1 | FITT.PO.HN 1.25X1.00 MCPHEE |
| 10527403 | 1 | IMPELLER VALOX F.ACE PUMP |
| 10527503 | 1 | IMPELLER CASTIRON F.ACE PUMP |
| 10527603 | 1 | WASHER 3/8' F.ACE PUMP |
| 10527703 | 1 | NUT HEX NF 3/8 F.ACE PUMP |
| 10527903 | 1 | BEARING F.ACE PUMP (#40870) |
| 10553203 | 1 | FITT.PO.EL 1.5X1.5 HB BLACK |
| 10572403 | 1 | PUMP ACE HY 206 SERIES 150 |
| 10595903 | 1 | REPAIR KIT ACE 206-150 |
| 10597603 | 1 | ORIFACE RESTRICTOR F. ACE 206 |
| 10597703 | 1 | FITT, HYD FLOW FUSE ACE 206OLD |
| 28013703 | 1 | PUMP HOUSING FRONT ACE 206-150 |
| 28014303 | 1 | PUMP HOUSING W.FEET 206-150 |
| 28022703 | 1 | IMPELLER THERMOPLASTIC |
| 28022803 | 1 | IMPELLER CAST IRON |
| 28027103 | 1 | REPAIR KIT ACE 204,210,304,310 |
| 28028103 | 1 | SHAFT 5/8"DIA.1/2"KEYWAY SS |
| 28028303 | 1 | O-RING, SHAFT SEAL |
| 28028403 | 1 | SLINGER |
| 28028503 | 1 | SNAP RING - INTERNAL |
| 28028603 | 1 | SNAP RING - EXTERNAL |
| 28028703 | 1 | SPACER FOR SHAFT |
| 28028803 | 1 | SEAL SUPPORT SPACER 200 SERIES |
| 28028903 | 1 | COUPLING FOR HYDRAULIC MOTOR |
| 28030103 | 1 | CLAMP HOSE GEAR P5/4-S1.5"6724 |
| 28095403 | 1 | KEY F.IMPELLER 1/8"X1/8"X1/2" |
| 63009003 | 1 | CENTRIFUGAL PUMP BRACKET |
| 78600703 | 1 | FITT, HYD FLOW FUSE ACE 206N |
| 92702603 | 1 | HOSE PVC SUCT GRAY 1-1/2" |
| 92712403 | 1 | HOSE R X1" X300PSI WP X0012" |



TOP SUCTION



EXTERNAL SUCTION



B0670



TOP SUCTION ASSEMBLY-S93 2"
B0670-HIN, 01:01:16

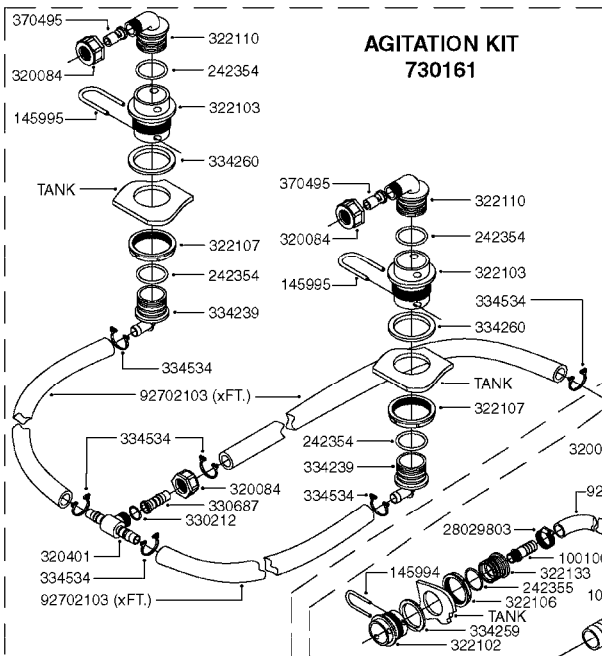
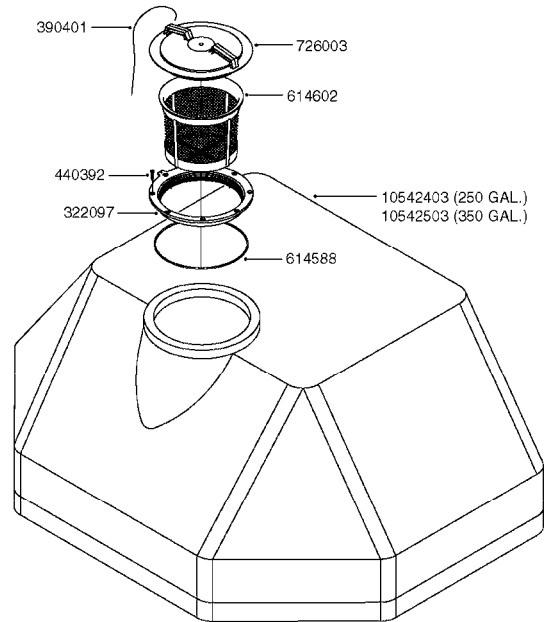
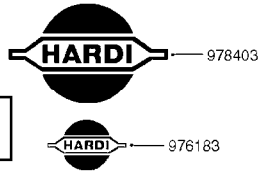
Page 1

Date 05.08.2019 8:57

| parts-n° | order qty | description |
|----------|-----------|-----------------------------------|
| 145997 | 1 | FITT.DK S-93 FORK |
| 147115 | 1 | FITT.DK S-93 FORK SPECIAL |
| 168773 | 1 | MOUNT BRACKET F.S93 HOUSING |
| 242092 | 1 | O-RING D69.5X3 |
| 242351 | 1 | O-RING D69.5X3.0 VITON F.S-93 |
| 283866 | 1 | CLAMP HOSE SCREW TYPE 2"DELTA |
| 284724 | 1 | CLAMP HOSE GEAR D52-70 |
| 322109 | 1 | FITT.DK S-93 BULKHEAD NUT |
| 322227 | 1 | HOUSING F.FILTER S-93 2" |
| 334234 | 1 | FITT.DK S-93 STR.2" RUBBER |
| 334262 | 1 | GASKET F.S-93 BULKHEAD |
| 334526 | 1 | FOOT F.SUCTION TUBE 2" |
| 334605 | 1 | VANE F.TOP SUCTION FILTER |
| 341235 | 1 | TUBE, SUCTION-2", L=1900MM |
| 390509 | 1 | *STRING POLYESTER D1 X 325MM |
| 410362 | 1 | BOLT HEX 8.8 SS M6X20 |
| 460261 | 1 | NUT HEX M6X1.00 LOCK DIN985 A2 SS |
| 480779 | 1 | PIN D5X55 SPLIT |
| 615415 | 1 | FILTER ELEM.S93,30 MESH-GREEN |
| 615416 | 1 | FILTER ELEM.S93,50 MESH-BLUE |
| 615417 | 1 | FILTER ELEM.S93,80 MESH-RED |
| 729828 | 1 | FITT.DK S-93 ELB 2-1/2" RED |
| 729829 | 1 | FITT.DK S-93 ELB 2 RED |
| 729830 | 1 | FITT.DK S-93 ELB 1-1/2" 90 RED |
| 927331 | 1 | HOSE R X 28 BAR X 50MM X 0012" |
| 28030103 | 1 | CLAMP HOSE GEAR P5/4-S1.5"6724 |
| 92702603 | 1 | HOSE PVC SUCT GRAY 1-1/2" |
| 92702703 | 1 | HOSE PVC SUCT GRAY 2" |
| 92702803 | 1 | HOSE PVC SUCT GRAY 2.5" |

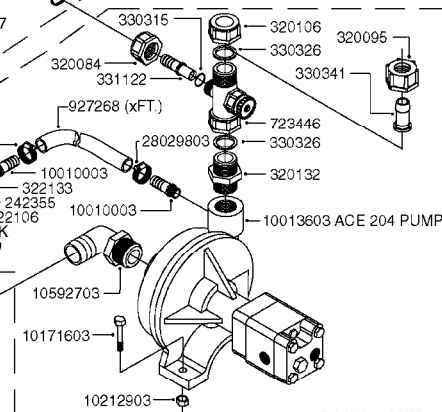
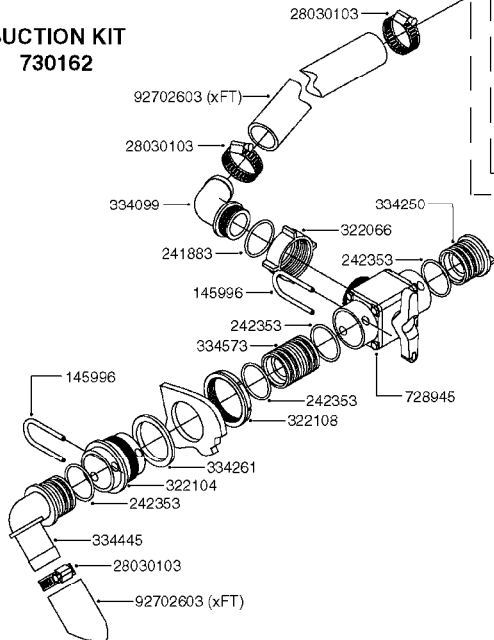


COMPLETE ASSEMBLIES
WHOLEGOODS ITEMS



AGITATION KIT
730161

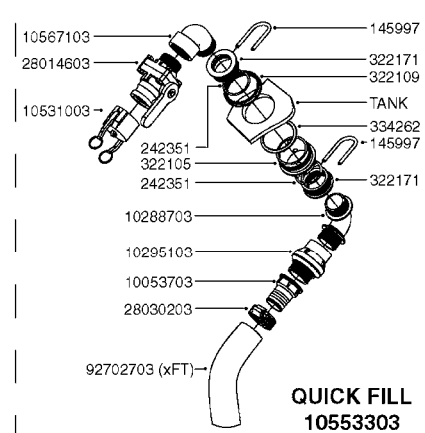
SUCTION KIT
730162



PUMP KIT
10547303

For Top Suction
See Page B0670

For Top Drain
See Page K0180



QUICK FILL
10553303

E0130



TANK - FRONT TANK 250/350
E0130-HIN, 01:01:16

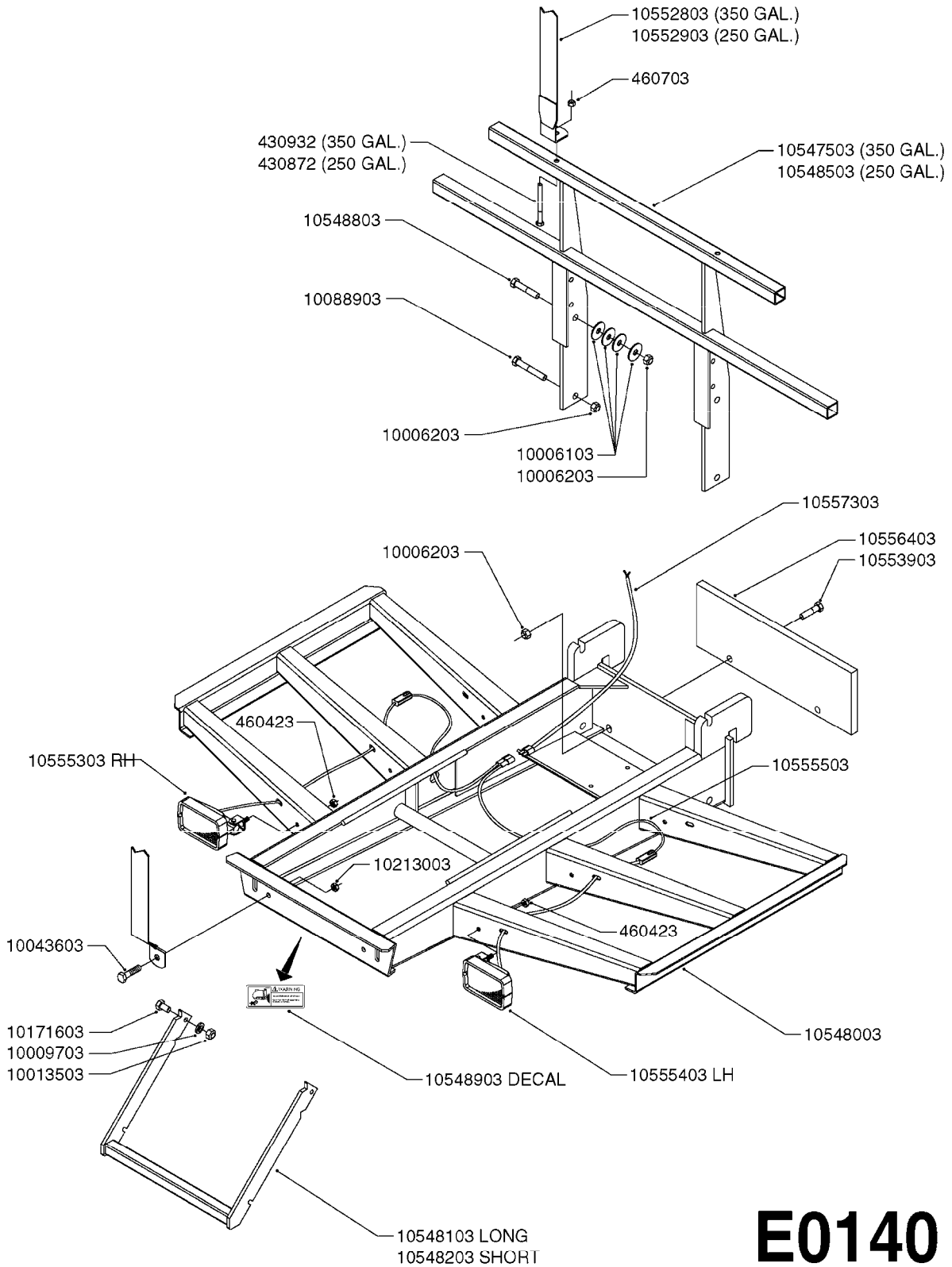
| parts-n° | order qty | description |
|----------|-----------|--------------------------------|
| 145994 | 1 | FITT.DK S-40 FORK |
| 145995 | 1 | FITT.DK S-53 FORK |
| 145996 | 1 | FITT.DK S-67 FORK |
| 145997 | 1 | FITT.DK S-93 FORK |
| 241883 | 1 | O-RING 3 X 39.2 NITRIL |
| 242351 | 1 | O-RING D69.5X3.0 VITON F.S-93 |
| 242353 | 1 | O-RING 3 X 44.2 VITON |
| 242354 | 1 | O-RING D32.2X3.0 VITON |
| 242355 | 1 | O-RING D19.2X3.0 VITON F.S-40 |
| 320084 | 1 | FITT.DK NUT 1/2" BSP |
| 320095 | 1 | FITT.DK NUT 1" BSP |
| 320106 | 1 | FITT.DK CAPNUT 1" BSP |
| 320132 | 1 | FITT.DK HN 1" BSP |
| 320401 | 1 | FITT.DK TEE 1/2X1/2HB X1/2"BSP |
| 322066 | 1 | FITT.DK S-56 NUT |
| 322097 | 1 | THREADED RING F. LID |
| 322102 | 1 | FITT.DK S-40 BULKHEAD |
| 322103 | 1 | FITT.DK S-53 BULKHEAD |
| 322104 | 1 | FITT.DK S-67 BULKHEAD |
| 322105 | 1 | FITT.DK S-93 BULKHEAD DOUBLE |
| 322106 | 1 | FITT.DK S-40 BULKHEAD NUT |
| 322107 | 1 | FITT.DK S-53 BULKHEAD NUT |
| 322108 | 1 | FITT.DK S-67 BULKHEAD NUT |
| 322109 | 1 | FITT.DK S-93 BULKHEAD NUT |
| 322110 | 1 | FITT.DK S-53 ELB. 1/2" BSP |
| 322133 | 1 | FITT.DK S-40 PLUG W 1/8 THREAD |
| 322171 | 1 | FITT.DK S-93 THREAD INS.2"BSP |
| 330212 | 1 | O-RING D19/D14X2.4 F.1/2"NUT |
| 330315 | 1 | O-RING D18.4/D13X.6 |
| 330326 | 1 | O-RING D30/D24X2 F.1"NUT |
| 330341 | 1 | FITT.DK HB 1" F. 1" NUT |
| 330687 | 1 | FITT.DK HB 1/2" F. 1/2" NUT |
| 331122 | 1 | VALVE SEAT WITH 1/2" HOSE TAIL |
| 334099 | 1 | FITT.DK S-61 ELB.1-1/2"110 DEG |
| 334239 | 1 | FITT.DK S-53 ELB.1/2" |
| 334250 | 1 | FITT.DK S-67 PLUG |
| 334259 | 1 | GASKET F. S-40 BULKHEAD |
| 334260 | 1 | GASKET F. S-53 BULKHEAD |
| 334261 | 1 | GASKET F. S-67 BULKHEAD |
| 334262 | 1 | GASKET F.S-93 BULKHEAD |
| 334445 | 1 | FITT.DK S-67 ELB.1-1/2" |
| 334534 | 1 | CLAMP HOSE PLASTIC 1/2" |
| 334573 | 1 | FITT.DK S-67 CONNECTOR |
| 370495 | 1 | NOZZLE INJECTOR 5066-3.0 |
| 390401 | 1 | CORD NYLON F.LID 900MM |
| 440392 | 1 | SCREW 6.3 X 25.0 DIN7981C TORX |
| 614588 | 1 | SEAL F. LID |
| 614602 | 1 | FILTER BASKET |
| 723446 | 1 | AGITATION VALVE ASSY. ADJUST. |
| 726003 | 1 | LID F. TANK |
| 728945 | 1 | VALVE 2-WAY YELLOW W.S-67 ENDS |
| 730161 | 1 | AGITATION KIT FRONT TANK |
| 730162 | 1 | SUCTION KIT (BOTTOM) FRT TANK |
| 927268 | 1 | HOSE BLUE PVC X 1/4 X 0012" |
| 976183 | 1 | DECAL COMPANY D.18,2 X 29,6 |
| 978403 | 1 | DECAL COMPANY 280 X 450 |
| 10010003 | 1 | FITT.PO.HB 0.125X0.25 IMB0102 |
| 10013603 | 1 | PUMP ACE HY 204 |
| 10053703 | 1 | FITT.PO.HB STR. 2"BSP #4411 |
| 10171603 | 1 | BOLT HEX 3/8 NC GR.2 01.50" |
| 10212903 | 1 | NUT HEX NC (NYLON LOCK) 3/8" |



TANK - FRONT TANK 250/350
E0130-HIN, 01:01:16

Page 2
Date 05.08.2019 8:57

| parts-n° | order qty | description |
|----------|-----------|--------------------------------|
| 10288703 | 1 | FITT.PO.EL 2MX2M 90 DEG MCPHEE |
| 10295103 | 1 | FOOT VALVE 2" 504019 |
| 10531003 | 1 | CAP F.MALE QUICK COUPLER 2" |
| 10542403 | 1 | TANK RAW 250 GAL. FRONT MT. |
| 10542503 | 1 | TANK RAW 350 GAL. FRONT MT. |
| 10547303 | 1 | *PUMP KIT FRONT TANK ACE206 |
| 10553303 | 1 | QUICK FILL KIT FRONT TANK |
| 10567103 | 1 | FITT.PO.EL 2.0X2.0 |
| 10592703 | 1 | FITT.MF EL 1.25NPT X 1.50HB |
| 28014603 | 1 | VALVE STUBBY 2" BANJO |
| 28029803 | 1 | CLAMP HOSE GEAR P1/2" 6708 |
| 28030103 | 1 | CLAMP HOSE GEAR P5/4-S1.5"6724 |
| 28030203 | 1 | CLAMP HOSE T-BOLT S2" 235-67 |
| 92702103 | 1 | HOSE R X1/2" X300PSI WP X0012" |
| 92702603 | 1 | HOSE PVC SUCT GRAY 1-1/2" |
| 92702703 | 1 | HOSE PVC SUCT GRAY 2" |



E0140



FRAME FRONT TANK 250/350
E0140-HIN, 01:01:16

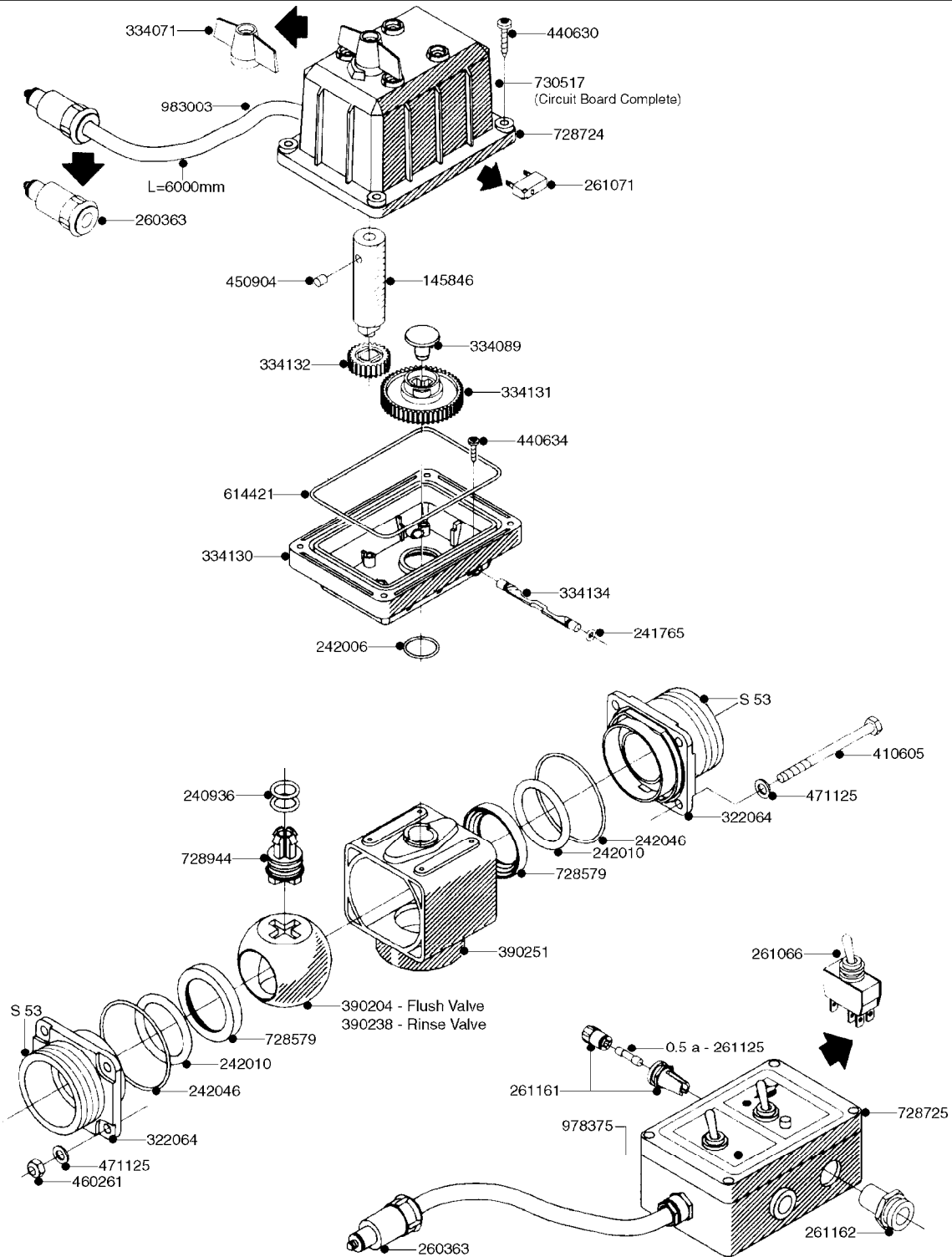
Page 1

Date 05.08.2019 8:57

| parts-n° | order qty | description |
|----------|-----------|-----------------------------------|
| 10006103 | 1 | WASHER PLATE 5/8 |
| 10006203 | 1 | NUT HEX NC LOCK 5/8" |
| 10009703 | 1 | WASHER LOCK L/W Z 3/8" |
| 10013503 | 1 | NUT HEX NC 3/8" |
| 10043603 | 1 | BOLT HEX 7/16 NC GR.5 01.25" |
| 10088903 | 1 | BOLT HEX 5/8 NC GR.2 03.50" |
| 10171603 | 1 | BOLT HEX 3/8 NC GR.2 01.50" |
| 10213003 | 1 | NUT HEX NC (NYLON LOCK) 7/16" |
| 10547503 | 1 | REAR SUPPORT 350G F.FRONT TANK |
| 10548003 | 1 | FRAME F.FRONT TANK |
| 10548103 | 1 | STEP LONG F.FRONT TANK |
| 10548203 | 1 | STEP SHORT F.FRONT TANK |
| 10548503 | 1 | REAR SUPPORT 250G F.FRONT TANK |
| 10548803 | 1 | BOLT HEX 5/8 NC GR.2 02.75" |
| 10548903 | 1 | DECAL "WARNING-DO NOT TOW" ENG |
| 10552803 | 1 | STRAP F.TANK 50X2160 350G |
| 10552903 | 1 | STRAP F.TANK 50X2070 250G |
| 10553903 | 1 | BOLT HEX 5/8 NC GR.8 02.50" |
| 10555303 | 1 | HEAD LIGHT RH FRONT TANK |
| 10555403 | 1 | HEAD LIGHT LH FRONT TANK |
| 10555503 | 1 | WIRING HARNESS MIDDLE FR.TANK |
| 10556403 | 1 | RAW MOUNT PLATE FRONT TANK |
| 10557303 | 1 | WIRING HARNESS END FOR FR.TANK |
| 430872 | 1 | BOLT HEX 8.8 DEL M12X100 FT |
| 430932 | 1 | BOLT HEX 8.8 DEL M12X130 FT |
| 460423 | 1 | NUT HEX M10X1.50 LOCK DIN985A2 SS |
| 460703 | 1 | NUT HEX M12X1.75 LOCK DIN985A2 SS |



BALL VALVE-ELECTRIC 3-WAY
K0040-HIN, 01:01:16



COMPLETE ASSEMBLY:
841078 - FLUSH VALVE KIT
841079 - RINSE VALVE KIT STANDARD PLUMBING

COMPLETE ASSEMBLIES
WHOLEGOODS ITEMS

K0040

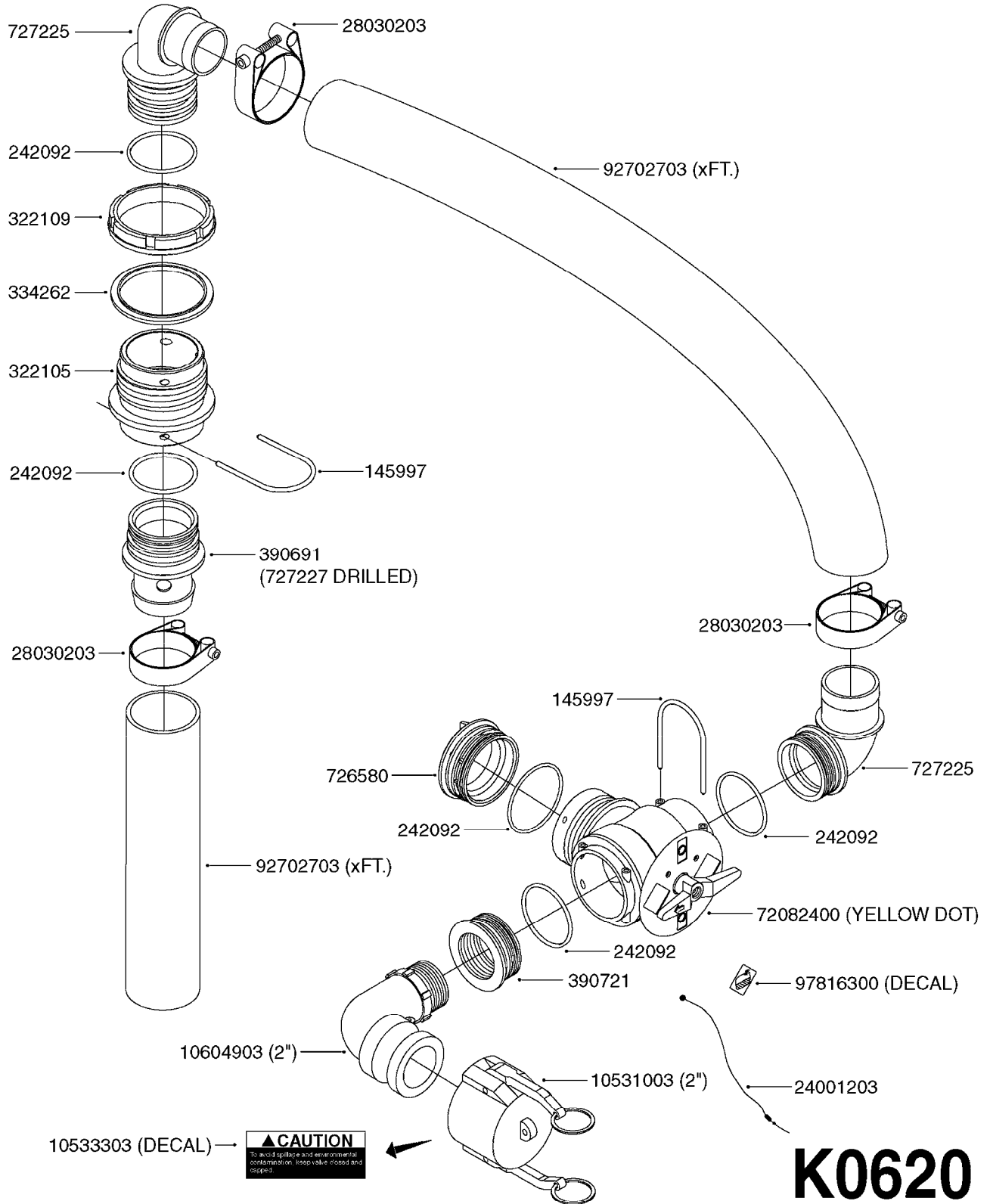


BALL VALVE-ELECTRIC 3-WAY
K0040-HIN, 01:01:16

Page 1

Date 05.08.2019 8:57

| parts-n° | order qty | description |
|----------|-----------|-----------------------------------|
| 145846 | 1 | COUPLING FOR EL 3-WAY VALVE |
| 240936 | 1 | O-RING D13.3X2.4 NITRIL |
| 241765 | 1 | O-RING 3.1 X 1.6 |
| 242006 | 1 | O-RING D22/D19 X 1.5 |
| 242010 | 1 | O-RING D37.47X5.33 |
| 242046 | 1 | O-RING D60X2 |
| 260363 | 1 | PLUG 2 POLE 12V |
| 261066 | 1 | SWITCH 2 POLE |
| 261071 | 1 | MICRO SWITCH TYPE 9 SM 201 |
| 261125 | 1 | FUSE 5 X 20 500mA |
| 261161 | 1 | FUSE HOLDER 5 X 20 MM |
| 261162 | 1 | SOCKET F.12V BAYONET PLUG |
| 322064 | 1 | END COVER W.S56 |
| 334071 | 1 | GRIP F.MAN.OP.EC PRESS.REG.RED |
| 334089 | 1 | VALVE INDICATOR BLACK |
| 334130 | 1 | GEAR BOX |
| 334131 | 1 | COG WHEEL |
| 334132 | 1 | COG WHEEL |
| 334134 | 1 | INDICATOR ROD |
| 390204 | 1 | BALL F. 3 WAY SUCTION VALVE |
| 390238 | 1 | BALL F. 3 WAY PRESSURE VALVE |
| 390251 | 1 | MOTOR HOUSING F. 3-WAY VALVE |
| 410605 | 1 | BOLT HEX 8.8 DEL M6X80 |
| 440630 | 1 | SCREW 1"PLATED |
| 440634 | 1 | SCREW 5/8" |
| 450904 | 1 | SCREW, SET M6X6 THREADED |
| 460261 | 1 | NUT HEX M6X1.00 LOCK DIN985 A2 SS |
| 471125 | 1 | WASHER M6U 6.4X14X1.2,A2 SS |
| 614421 | 1 | GASKET F/MOTOR HOUSE-ON/OFF TR |
| 728579 | 1 | SEAL F BALL |
| 728724 | 1 | MOTOR FOR VALVE 300/1 |
| 728725 | 1 | CONTROL BOX F.FLUSH & RINSE |
| 728944 | 1 | VALVE STEM & COLOURED CAPS |
| 730517 | 1 | CIRCUIT BOARD CMPLT F.728724 |
| 841078 | 1 | ELEC.VALVE F/FLUSH |
| 841079 | 1 | ELEC.VALVE F/RINSE |
| 978375 | 1 | GRAFIKLAG F. FLUSH & RINSE |
| 983003 | 1 | CABLE ELEC.2X1MM WIRE BLACK EC |





QUICKFILL SYSTEM - S93
K0620-HIN, 29:05:19

Page 1
Date 05.08.2019 8:57

| parts-n° | order qty | description |
|----------|-----------|---------------------------------|
| 145997 | 1 | FITT.DK S-93 FORK |
| 242092 | 1 | O-RING D69.5X3 |
| 322105 | 1 | FITT.DK S-93 BULKHEAD DOUBLE |
| 322109 | 1 | FITT.DK S-93 BULKHEAD NUT |
| 334262 | 1 | GASKET F.S-93 BULKHEAD |
| 390691 | 1 | FITT.DK S-93 STR.2"PVC DRILLED |
| 390721 | 1 | FITT.DK S-93 PLUG W/2" NPT THRE |
| 726580 | 1 | FITT. S93 PLUG W/O-RING |
| 727225 | 1 | FITT.DK S-93 ELB.2'PVC W/ORING |
| 727227 | 1 | FITT.DK S-93 STR.2" W/ORING |
| 10531003 | 1 | CAP F.MALE QUICK COUPLER 2" |
| 10533303 | 1 | DECAL CAUTION-LEAK Q.FILL ENG |
| 10604903 | 1 | QUICK COUPLER MALE 2' 90DEG |
| 24001203 | 1 | RBR LANYARD 11" F.QCK FILL CAP |
| 28030203 | 1 | CLAMP HOSE T-BOLT S2" 235-67 |
| 72082400 | 1 | VALVE 2"-S93 3 WAY |
| 92702703 | 1 | HOSE PVC SUCT GRAY 2" |
| 97816300 | 1 | DECAL MANIFOLD QUICK-FILL |