



Agroparts: www.HARDI-INTERNATIONAL.com

BP15/20 BP15/20

Country-Code 11

Date 07.02.2020 7:57

BP15/20



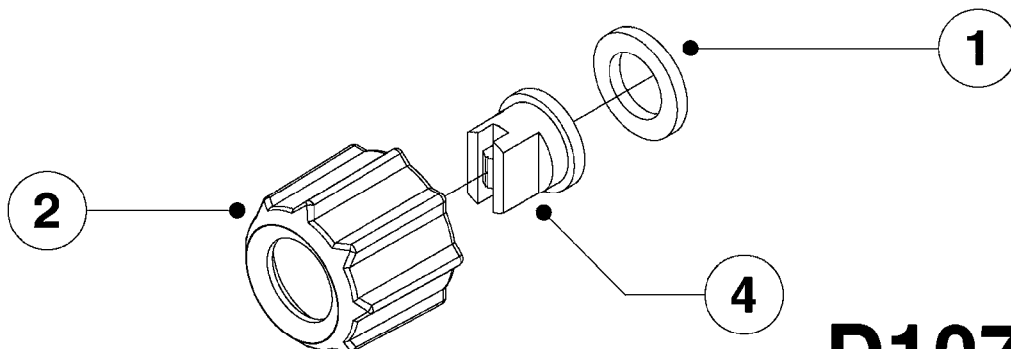
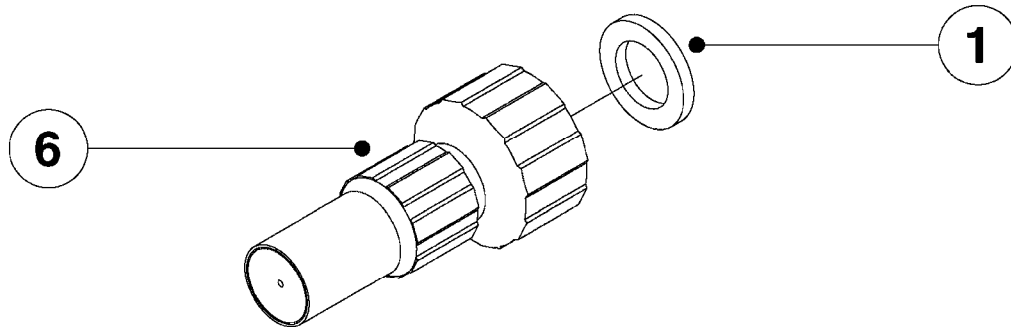
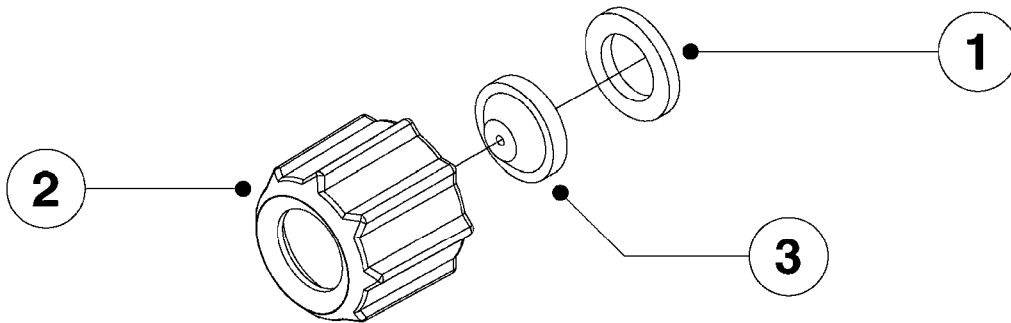
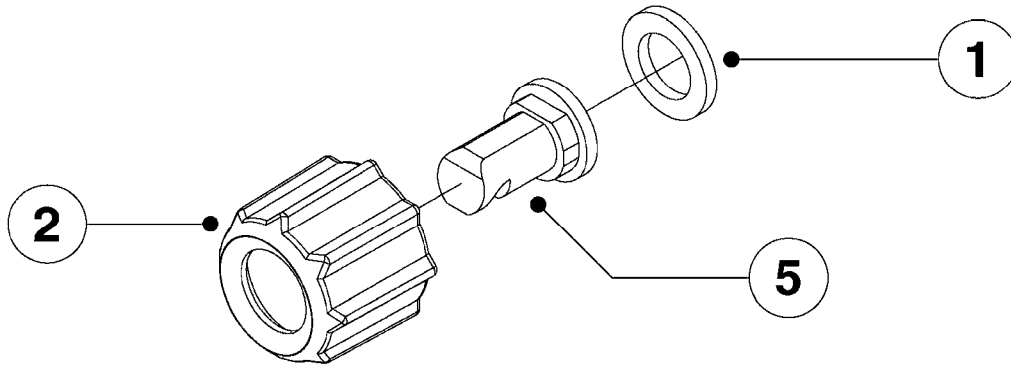


BP15/20 BP15/20

Page 0.1

Date 07.02.2020 7:57

| main group | page-n° | date | description |
|------------------------------|-----------|----------|--------------------------------|
| Booms, Nozzle Bodies & Tubes | D1070-HIN | 01:01:16 | NOZZLES - HANDHELD SPRAYERS |
| Hand-operated Sprayers | J0040-HIN | 01:01:16 | BACKPACK SPRAYER BP 15/20 |
| | J0070-HIN | 09:06:16 | TRIGGER VALVE ASSEMBLY '00 |
| | J0090-HIN | 01:01:16 | SPRY SHIELDS F.HND-HLD SPRY 01 |
| | J0110-HIN | 01:01:16 | SPRAY BOOM 2,3,4 NOZZLES '01 |
| | J0120-HIN | 01:01:16 | TELESCOPIC SPRAY WAND |



D1070

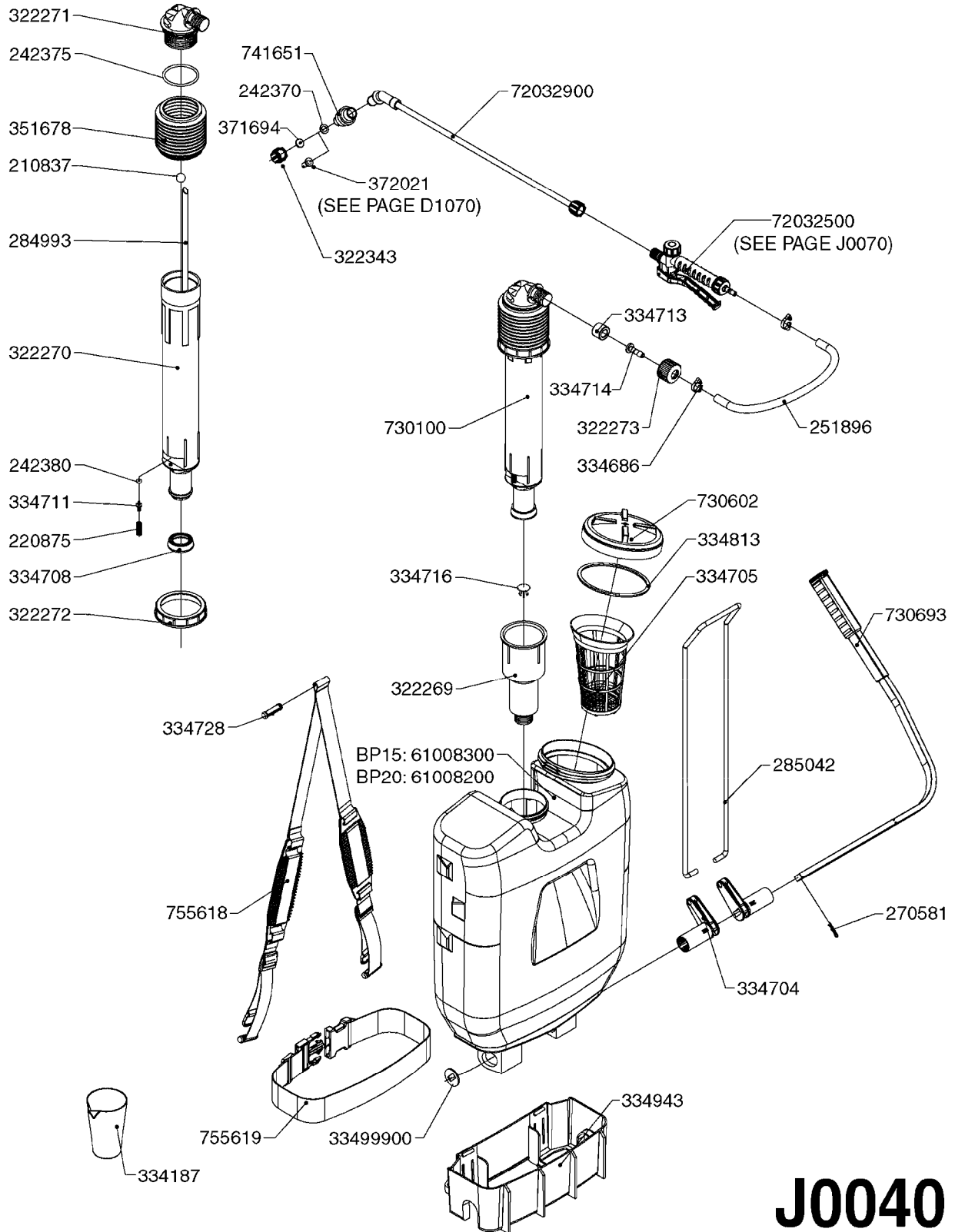


NOZZLES - HANDHELD SPRAYERS
D1070-HIN, 01:01:16

Page 1

Date 07.02.2020 7:57

| Pos. | parts-n° | order qty | description |
|------|----------|-----------|-------------------------------|
| 1 | 242370 | 1 | BACKING WASHER |
| 2 | 322343 | 1 | NOZZLE CAP M18 X 1.5 - 1999 |
| 3 | 371682 | 1 | HOLLOW CONE SPRAY TIP, RED |
| 3 | 371694 | 1 | HOLLOW CONE SPRAY TIP, YELLOW |
| 3 | 371695 | 1 | HOLLOW CONE SPRAY TIP, BROWN |
| 3 | 371696 | 1 | HOLLOW CONE SPRAY TIP, GREY |
| 4 | 371706 | 1 | NOZZLE ISO F-01-110 ORANGE |
| 4 | 371707 | 1 | NOZZLE ISO F-015-110 GREEN |
| 4 | 371708 | 1 | NOZZLE ISO F-02-110 YELLOW |
| 4 | 371709 | 1 | NOZZLE ISO F-03-110 BLUE |
| 4 | 371710 | 1 | NOZZLE ISO F-04-110 RED |
| 4 | 371711 | 1 | NOZZLE ISO F-05-110 BROWN |
| 4 | 371712 | 1 | NOZZLE ISO F-06-110 GREY |
| 4 | 371713 | 1 | NOZZLE ISO F-08-110 WHITE |
| 4 | 371857 | 1 | NOZZLE FAN JET 02E80 YELLOW |
| 4 | 371946 | 1 | NOZZLE ISO F-025-110 LILAC |
| 4 | 371963 | 1 | NOZZLE ISO F-075-110 PINK |
| 4 | 371966 | 1 | NOZZLE ISO F-10-110 LT BLUE |
| 5 | 372020 | 1 | NOZZLE REFLEX YELLOW AN 0.6 |
| 5 | 372021 | 1 | NOZZLE REFLEX GREEN AN 1.2 |
| 5 | 372022 | 1 | REFL.NOZZLE AN 1.8 BLUE |
| 5 | 372023 | 1 | NOZZLE FLOOD AN 2.4 RED |
| 6 | 755835 | 1 | ADJUSTABLE NOZZLE |



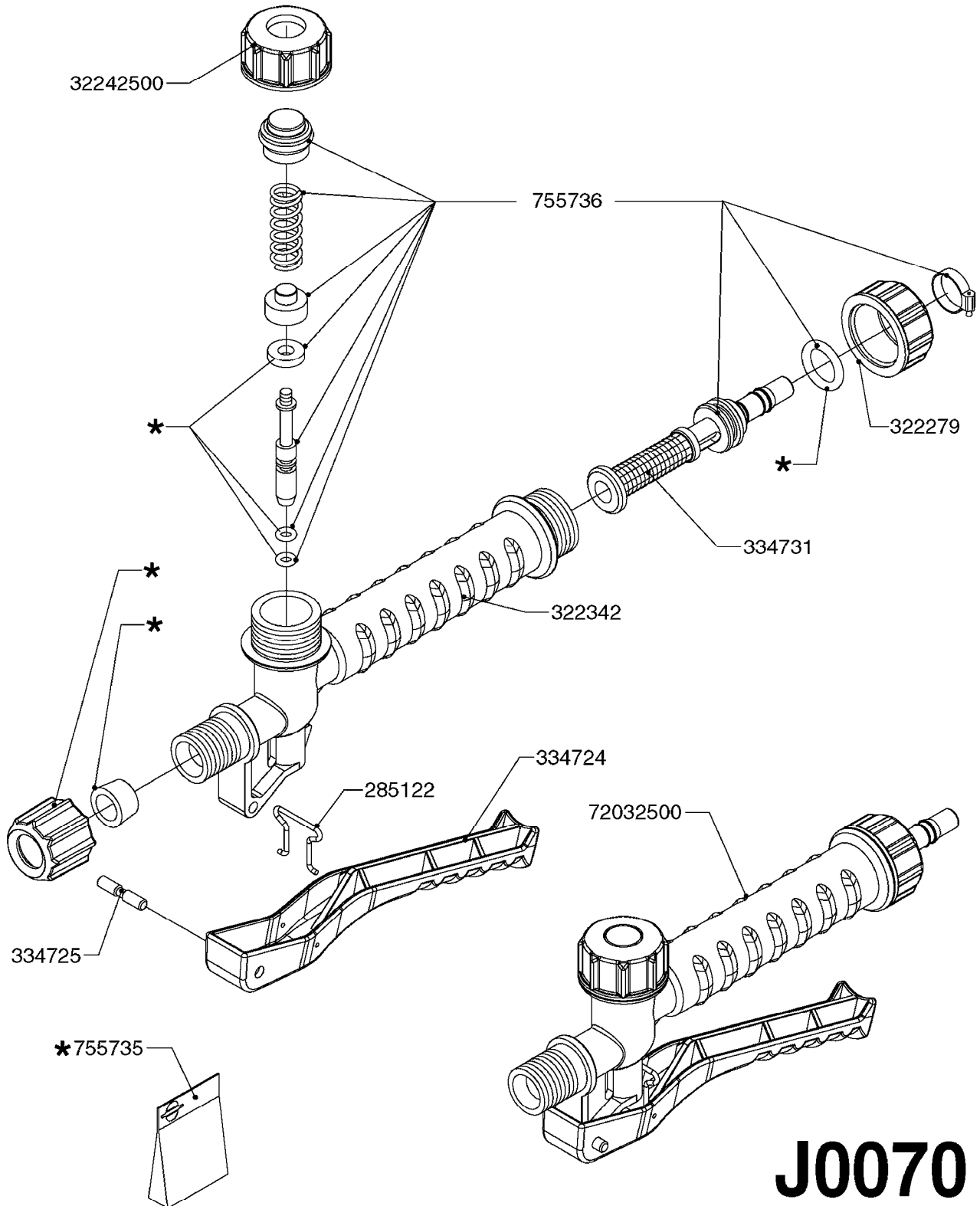
J0040



BACKPACK SPRAYER BP 15/20
J0040-HIN, 01:01:16

Page 1
Date 07.02.2020 7:57

| parts-n° | order qty | description |
|----------|-----------|--------------------------------|
| 210837 | 1 | BALL SS F/VALVE/2000 |
| 220875 | 1 | VALVE SPRING CP3/2000 |
| 242370 | 1 | BACKING WASHER |
| 242375 | 1 | PUMP CAP O-RING/2000 |
| 242380 | 1 | P/LIMIT O-RING 2000 |
| 251896 | 1 | HOSE ASSY. 5/16" PVC L=1300MM |
| 270581 | 1 | WIRE CLIP FOR OPERATING LEVER |
| 284993 | 1 | DIP TUBE CP3/2000 |
| 285042 | 1 | PUSH ROD CP3/2000 |
| 322269 | 1 | PISTON CUP |
| 322270 | 1 | PUMP LOWER CP3/2000 |
| 322271 | 1 | PUMP CAP |
| 322272 | 1 | 06-009 COLLAR |
| 322273 | 1 | SCREW CAP |
| 322343 | 1 | NOZZLE CAP M18 X 1.5 - 1999 |
| 334187 | 1 | CUP 250ML |
| 334686 | 1 | CLAMP HOSE PLASTIC 5/16' |
| 334704 | 1 | BEARING CRANK CP3/2000 |
| 334705 | 1 | STRAINER BP15/20 |
| 334708 | 1 | CUP SEAL |
| 334711 | 1 | P/L PLUNGER red /3 BAR |
| 334713 | 1 | HOSE GROMMET |
| 334714 | 1 | HOSE SPIGOT, BACK PACK 5/16" |
| 334716 | 1 | VALVE |
| 334728 | 1 | HARNESS PINS |
| 334813 | 1 | LID SEAL |
| 334943 | 1 | BASE FOR BP15/20 RED |
| 351678 | 1 | BELLOWS |
| 371694 | 1 | HOLLOW CONE SPRAY TIP, YELLOW |
| 372021 | 1 | NOZZLE REFLEX GREEN AN 1.2 |
| 730100 | 1 | PISTON ASSY. BP15/20 |
| 730602 | 1 | LID WITH SEAL |
| 730693 | 1 | LEVER OP BP-15/20 2003 MODEL |
| 741651 | 1 | FLUID CONTROL VALVE 15 PSI |
| 755618 | 1 | HARNESS W/RUBBER SHOULDER PADS |
| 755619 | 1 | WAIST BELT BP15/20 |
| 33499900 | 1 | DISC F. LEVER ARM CP-2000 |
| 61008200 | 1 | TANK BP20 |
| 61008300 | 1 | TANK BP15 |
| 72032500 | 1 | TRGGR VLV ASSY,NEW STYLE'00 |
| 72032900 | 1 | PLASTIC WAND 20" |



J0070

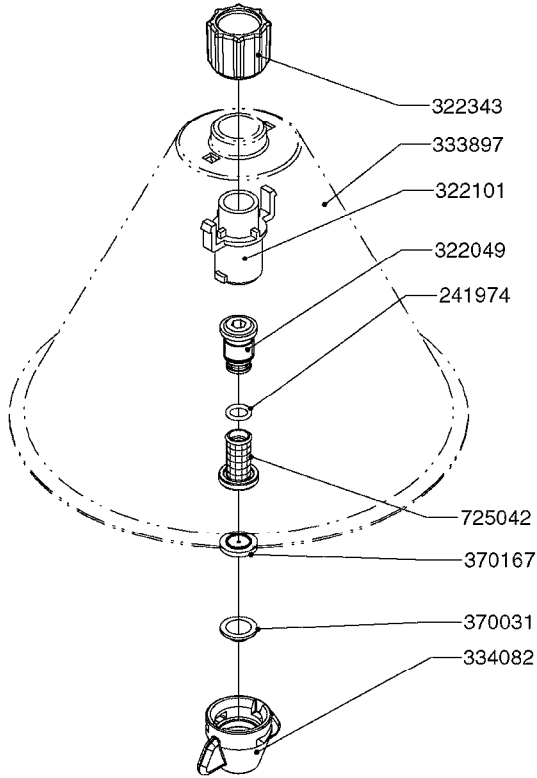


TRIGGER VALVE ASSEMBLY '00
J0070-HIN, 09:06:16

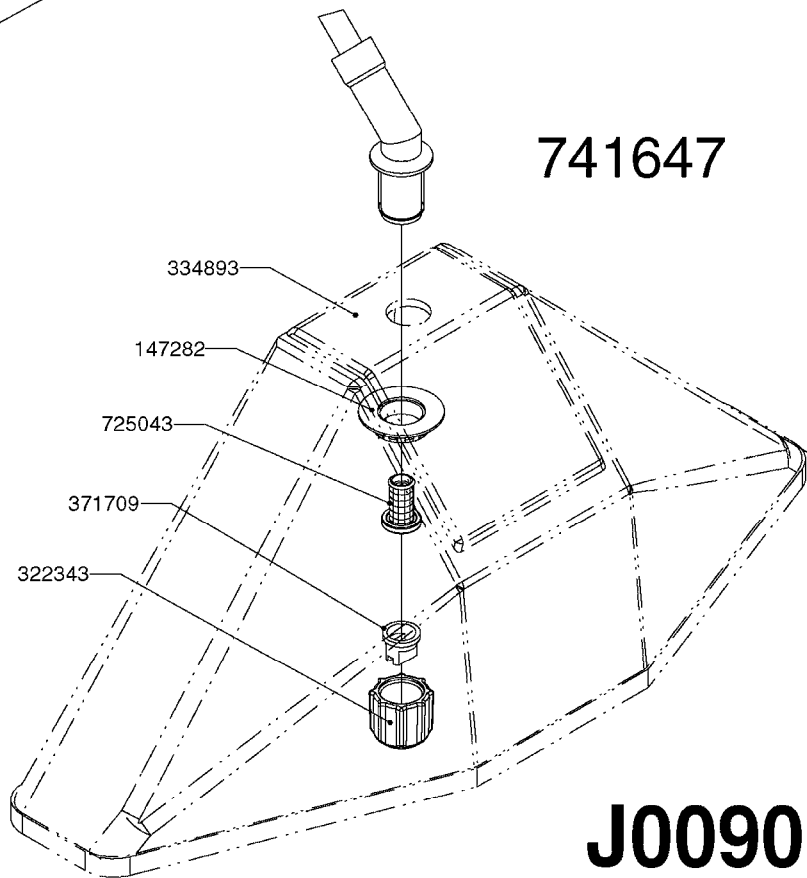
Page 1

Date 07.02.2020 7:57

| parts-n° | order qty | description |
|----------|-----------|--------------------------------|
| 285122 | 1 | WIRE CLIP FOR TRIGGER LEVER |
| 322279 | 1 | TRIGGER CAP |
| 322342 | 1 | VALVE CASING FOR LANCE |
| 334724 | 1 | TRIGGER VALVE LEVER |
| 334725 | 1 | PLASTIC PIN |
| 334731 | 1 | FILTER W/HOSE BARB |
| 755735 | 1 | SERVICE PARTS PACK BP15/20 |
| 755736 | 1 | TRIGGER VALVE PACK see72032500 |
| 32242500 | 1 | NUT FOR LANCE GREY |
| 72032500 | 1 | TRGGR VLV ASSY,NEW STYLE'00 |



741721



741647

J0090

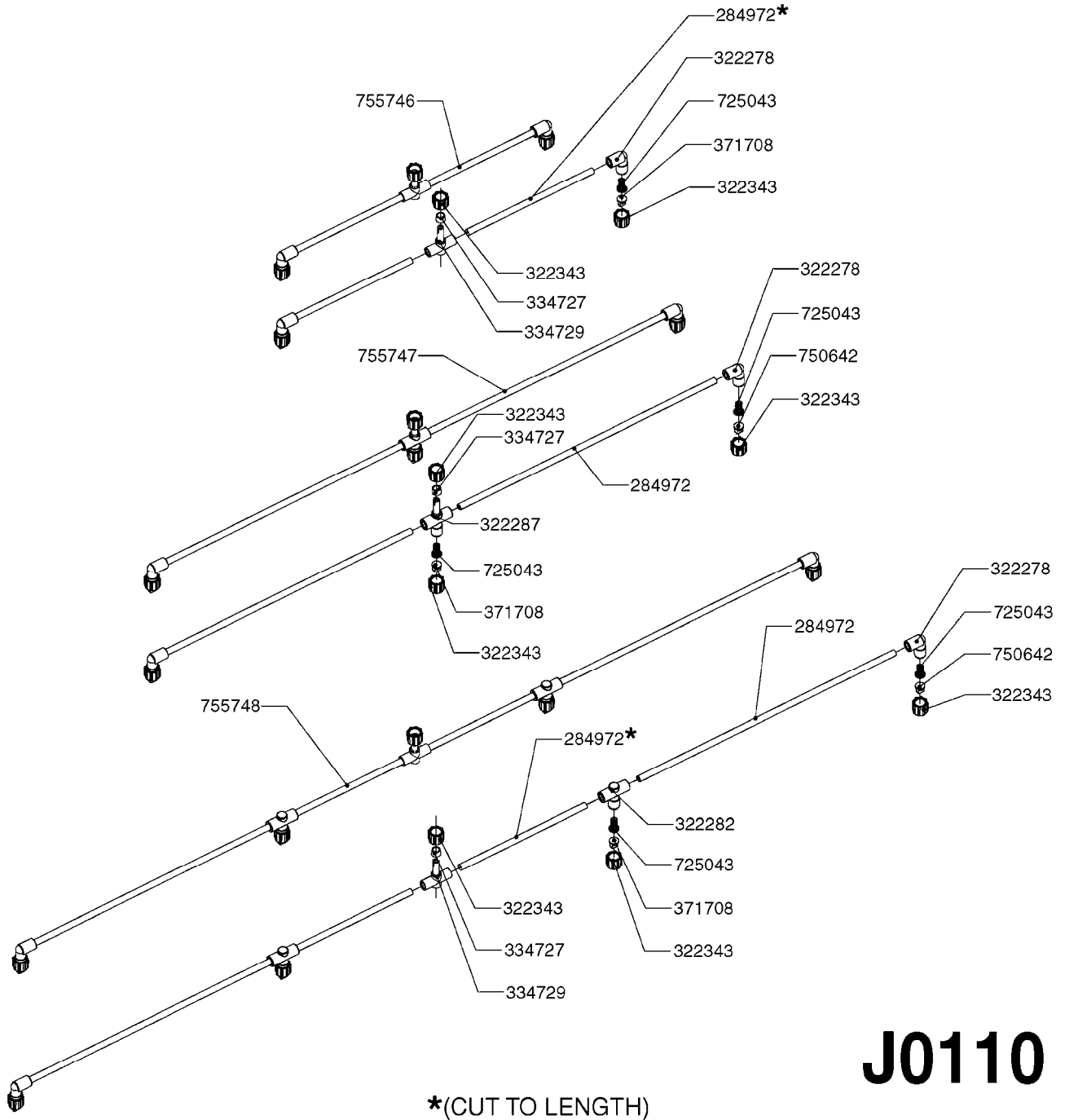


SPRY SHIELDS F.HND-HLD SPRY 01
J0090-HIN, 01:01:16

Page 1

Date 07.02.2020 7:57

| parts-n° | order qty | description |
|----------|-----------|--------------------------------|
| 147282 | 1 | CP3 LOCK NUT |
| 241974 | 1 | O-RING D7.1 X 1.6 |
| 322049 | 1 | FITT.DK SOCKET F.3/8 UNION NUT |
| 322101 | 1 | INSERT UNION F.SPRAY SHIELD |
| 322343 | 1 | NOZZLE CAP M18 X 1.5 - 1999 |
| 333897 | 1 | SPRAY SHIELD FOR CONE JET |
| 334082 | 1 | SNAP-FIT NOZZ.HOLD.CONE BLACK |
| 334893 | 1 | SPRAY SHIELD 15" W/O HRDWE. |
| 370031 | 1 | NOZZLE CONE JET 1553-12 |
| 370167 | 1 | NOZZLE SWIRL 1554-1.3 WHITE |
| 371709 | 1 | NOZZLE ISO F-03-110 BLUE |
| 725042 | 1 | SCREEN 80 MESH W.GASKET, RED |
| 725043 | 1 | SCREEN 50 MESH W.GASKET,BLUE |
| 741647 | 1 | SPRAY SHIELD F.FAN NOZZLE |
| 741721 | 1 | SPRAY SHIELD CP F.CONE NOZZLE |



*(CUT TO LENGTH)

J0110



SPRAY BOOM 2,3,4 NOZZLES '01
J0110-HIN, 01:01:16

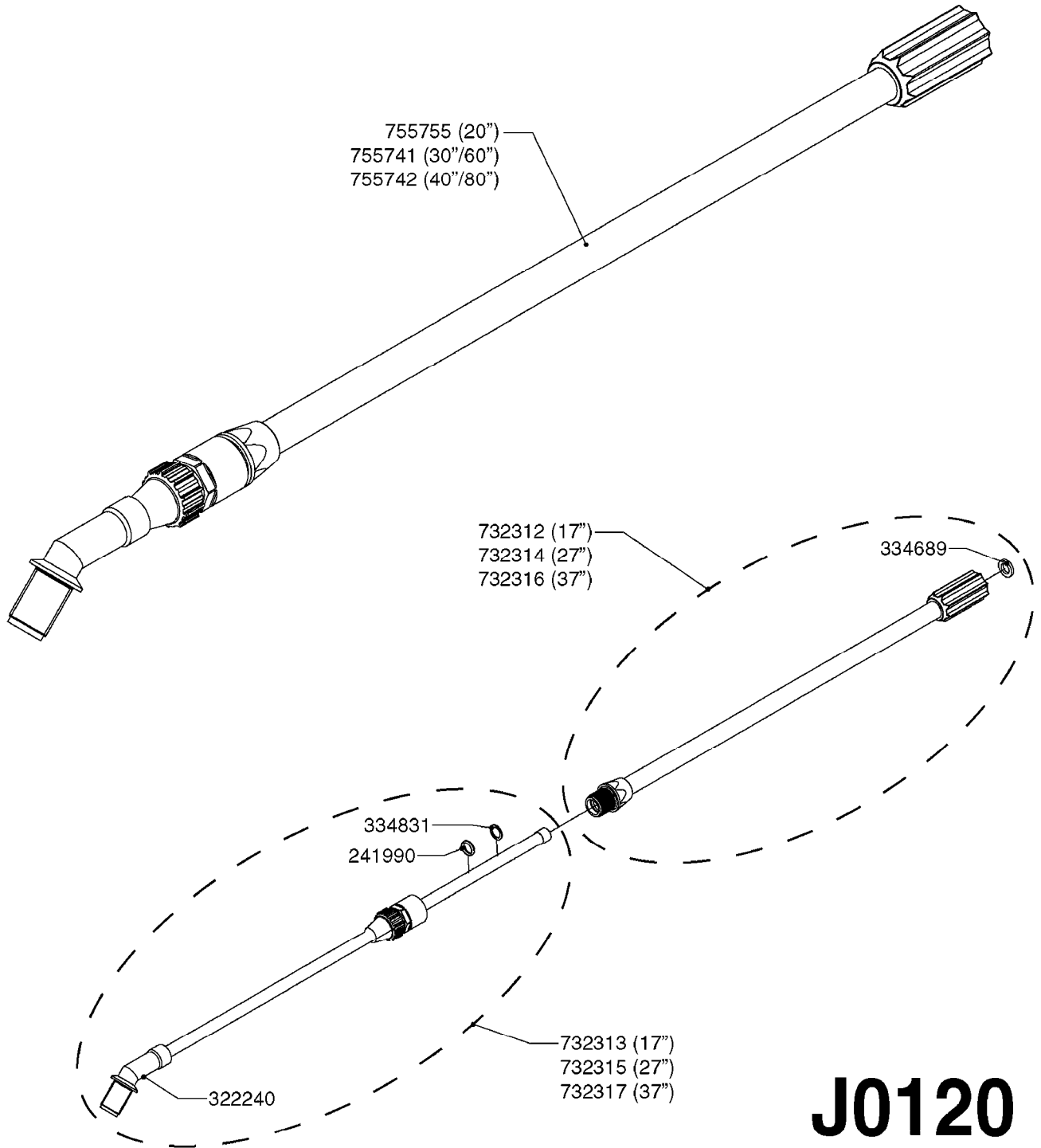
Page 1
Date 07.02.2020 7:57

| parts-n° | order qty | description |
|----------|-----------|--------------------------------|
| 284972 | 1 | LANCE TUBE D10 - 490MM |
| 322278 | 1 | ELBOW |
| 322282 | 1 | OUTLET TEE |
| 322287 | 1 | CROSS |
| 322343 | 1 | NOZZLE CAP M18 X 1.5 - 1999 |
| 334727 | 1 | GROMMET |
| 334729 | 1 | TEE PIECE |
| 371708 | 1 | NOZZLE ISO F-02-110 YELLOW |
| 725043 | 1 | SCREEN 50 MESH W.GASKET,BLUE |
| 750642 | 1 | SYNTAL ISO F-02-80 TIP YLW 12 |
| 755746 | 1 | BOOM 2 NOZZLE F.BACKPACK SPRYS |
| 755747 | 1 | BOOM 3 NOZZLE F.BACKPACK SPRYS |
| 755748 | 1 | BOOM 4 NOZZLE F.BACKPACK SPRYS |



TELESCOPIC SPRAY WAND
J0120-HIN, 01:01:16

| | |
|------|-----------------|
| Page | 0 |
| Date | 07.02.2020 7:57 |





TELESCOPIC SPRAY WAND
J0120-HIN, 01:01:16

Page 1
Date 07.02.2020 7:57

| parts-n° | order qty | description |
|----------|-----------|--------------------------------|
| 241990 | 1 | O-RING D9.3 X 2.4 VITON |
| 322240 | 1 | LANCE-END 45 DEG. |
| 334689 | 1 | GASKET Ø15.8/9.5X2.4 HYTREL |
| 334831 | 1 | DISC Ø 14.7/ 10.2X 1.0 |
| 732312 | 1 | LANCE TUBE D15/D12 ASSM. L=430 |
| 732313 | 1 | LANCE TUBE D10/D6 ASSM. L=490 |
| 732314 | 1 | LANCE TUBE D15/D12 ASSM. L=690 |
| 732315 | 1 | LANCE TUBE D10/D6 ASSM. L=750 |
| 732316 | 1 | LANCE TUBE D15/D12 ASSM. L=940 |
| 732317 | 1 | LANCE TUBE D10/D6 ASSM. L=1000 |
| 755741 | 1 | LANCE TELESCOPING 29"-59" |
| 755742 | 1 | LANCE TELESCOPING 39"-79" |
| 755755 | 1 | LANCE TELESCOPING 20"-40" |