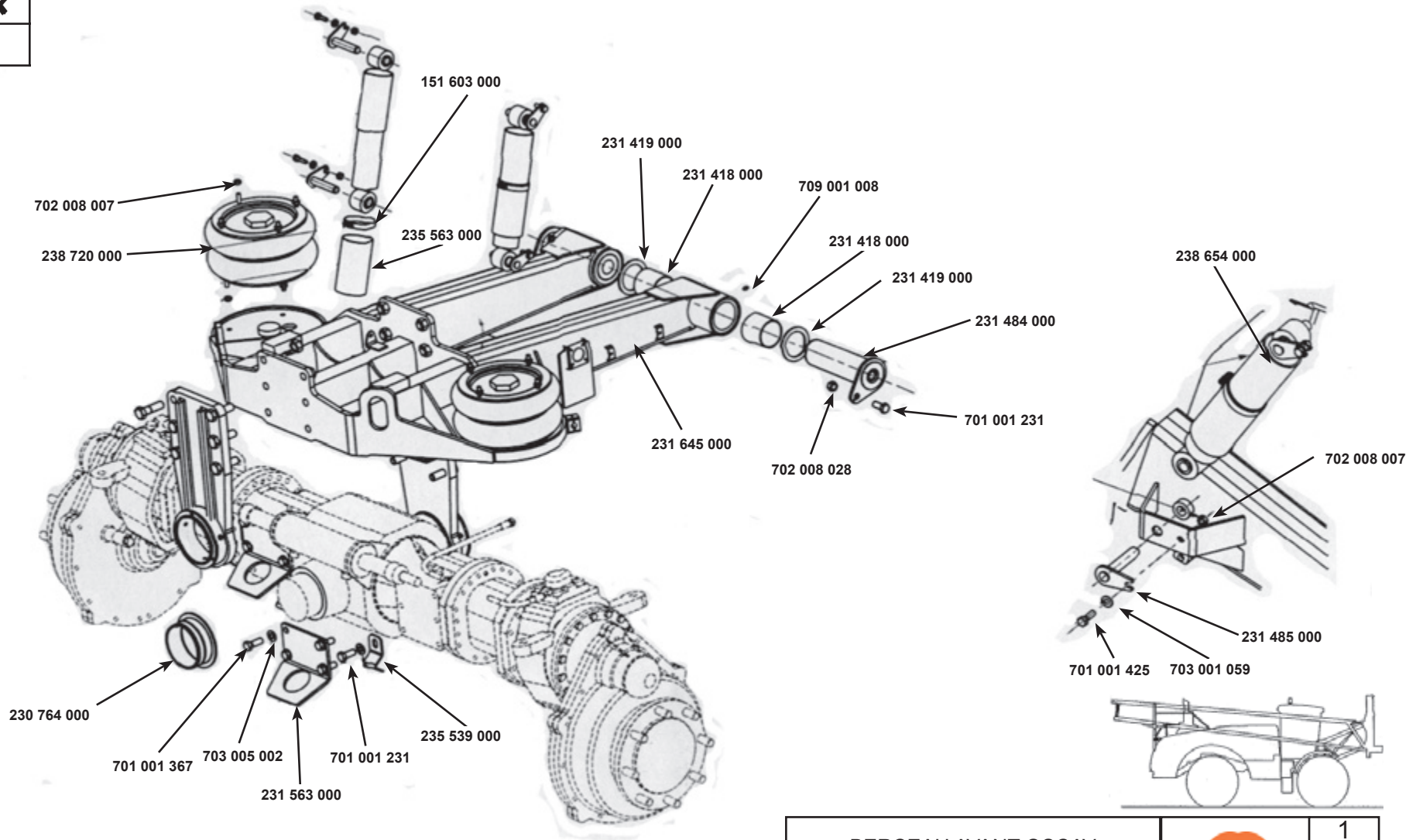


Km/h Modèles	25	40
17/39	X	X
21/39	X	X
23/45	X	



**CATALOGUE MAESTRIA  
RAMPE AV 2004**

<p>BERCEAU AVANT OSCAV FRONT WISHBONE OSCAV</p>		<p>1 A02 17/06/05</p>
---	---	-------------------------------