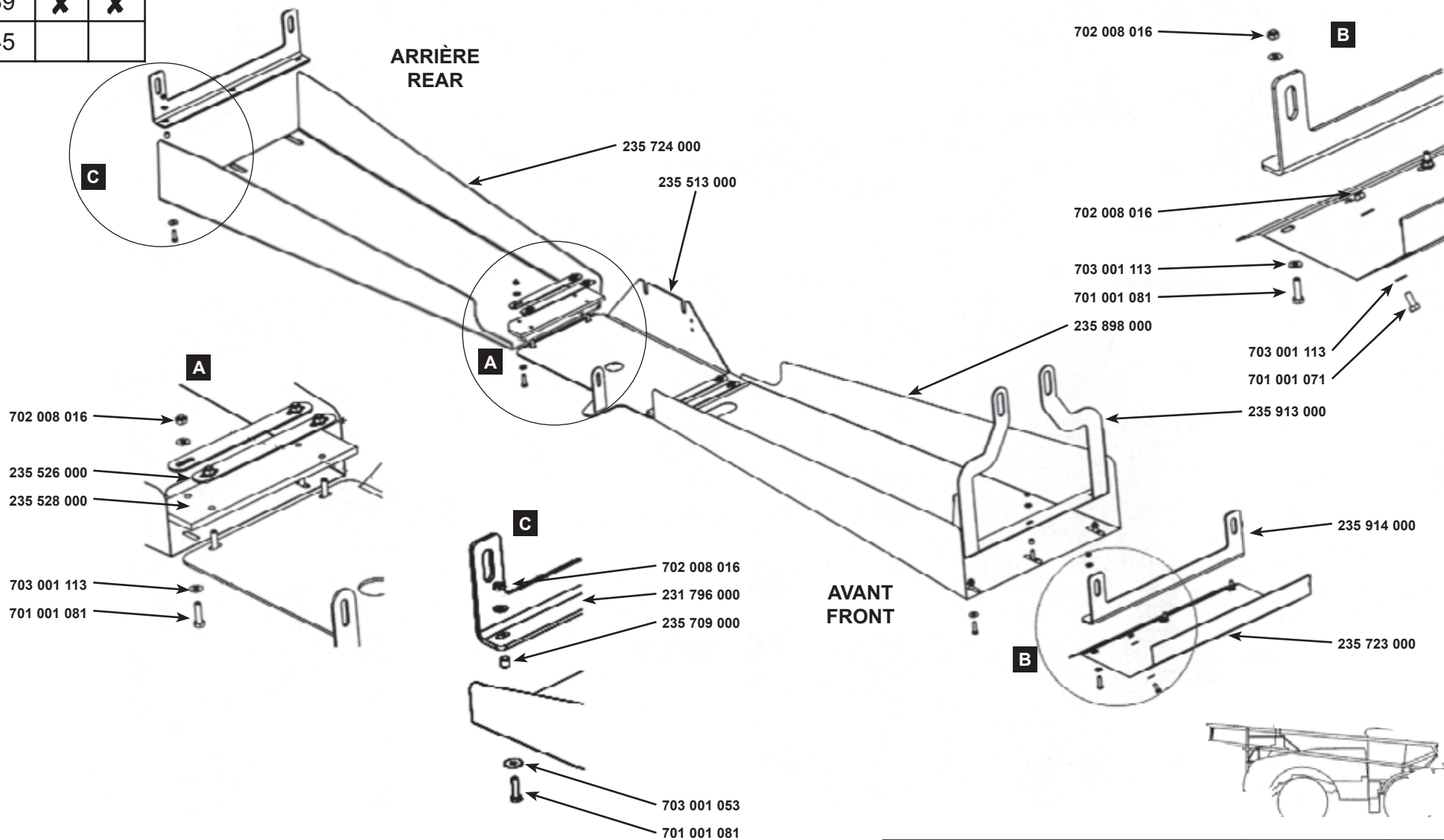


Km/h	25	40
17/39	X	X
21/39	X	X
23/45		



CATALOGUE MAESTRIA
RAMPE AV 2004
Ajout mars 2006/March '06 Add-on

CARTER CHASSIS COURT STABILIS® STABILIS® SHORT FRAME HOUSING		10 105 28/03/06
---	---	-----------------------